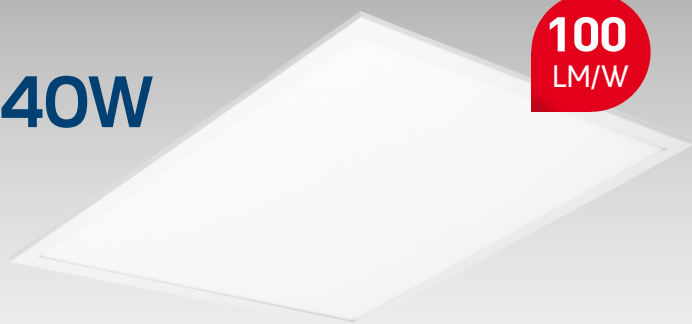




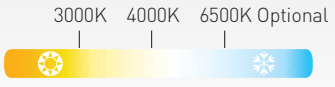
LED PANEL LIGHT

40W

100 LM/W



80 CRI



Suitable for dry and damp locations

Electrical Class

Driver - Class II Panel - Class III

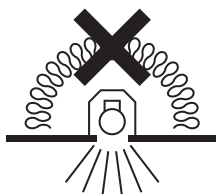
The independent control gear is classified as Class II and luminaire is marked as Class III, the whole product is marked as Class II on the package.

Finish

Silver or White Frame

Construction

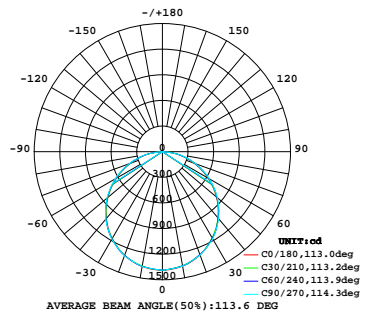
HOUSING/FRAME:
Fixture Frame Extruded Aluminium
LENS:
Opal Polystyrene Diffuser



LED

Warm white 3000K CRI: Ra (80)
Neutral white 4000K CRI: Ra (80)
Cool white 6500K CRI: Ra (80)

LUMINOUS INTENSITY DISTRIBUTION DIAGRAM



Emergency
Version available

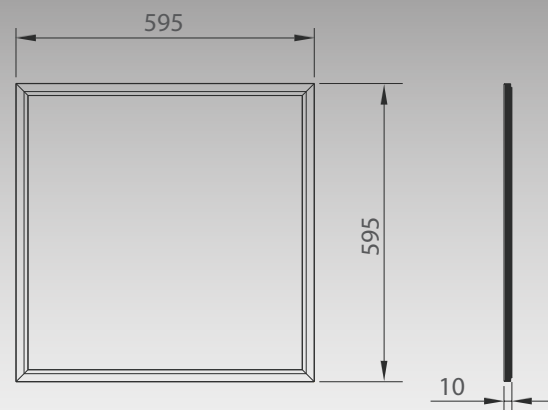
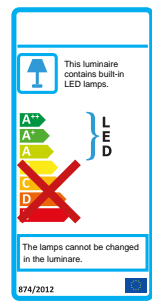
Dimmable
Option (to order only)

APPLICATIONS:

- > Replaces fluorescent tubes
- > Retail, offices, schools, hospitals
- > Corridors and stairwells
- > Suspended ceiling lighting for offices

KEY FEATURES:

- > Supplied with LED driver as standard
- > High lumen output
- > 3 Hour Emergency Kits available
- > DALI & 0-10V dimming available



Unit: mm



Installation Accessories (to order only)

KIT-1	Suspension wires A/B
KIT-2	Spring fasteners (Clips) A/B
KIT-3	Surface mount Z brackets
KIT-4	Ceiling mount frame A/B
KIT-5	Plaster built-in frame
KIT-6	Sliding fixed fittings

KEY DATA

Power +/- 5%	40W
Luminous Flux +/- 5%	4000lm
Colour Temperature	3000 / 4000K / 6500K
Colour Rendering	CRI>80
Dimensions (LxWxH)	595x595x10 mm
Warranty	3 Years

Part Number **ZX-0606-40/4P-1**

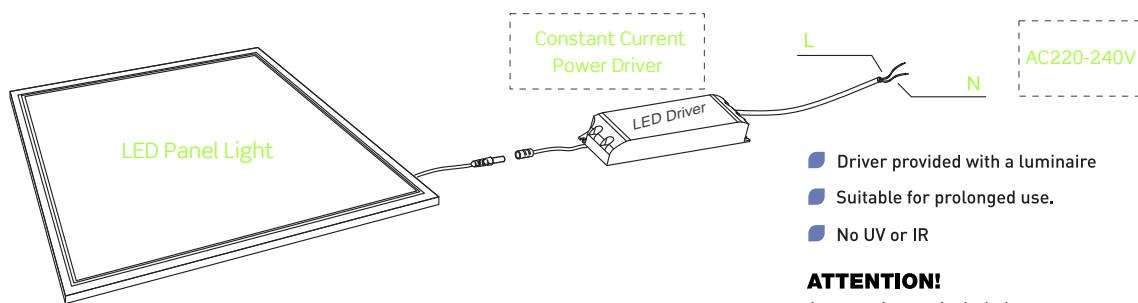
TECHNICAL SPECIFICATIONS

Input Volts	220-240V/AC
Power Factor	>0.95
Luminous Flux +/- 5%	4000lm
Luminous Efficacy	100lm/W
LED Type	SMD4014
No. of LEDs	224
SDCM	<5
Driver Manufacturer	LIFUD
Driver Output Volts / Current	27-42V/DC, 900mA
Flicker-Free	Yes
Lamp Viewing Angle	120°
Dimmable	Optional upgrade
Operating Temp.	-20°C to +40°C
LED Lifetime	50,000 hours
UGR Rating	<22
Diffuser Material	Polystyrene
LGP Material	2mm thickness LGP Mitsubishi/CHIMEI
IP Rating	IP40
Net Weight	2.10kg





Electrical Connection



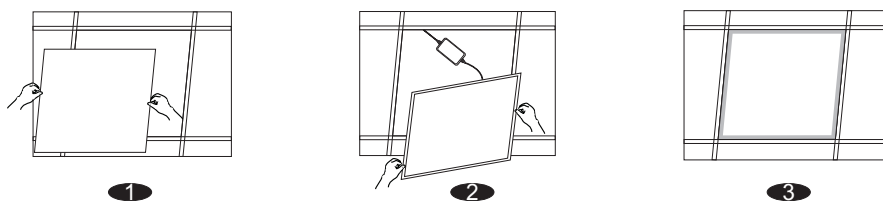
- Driver provided with a luminaire
- Suitable for prolonged use.
- No UV or IR

ATTENTION!

Accessories not included.

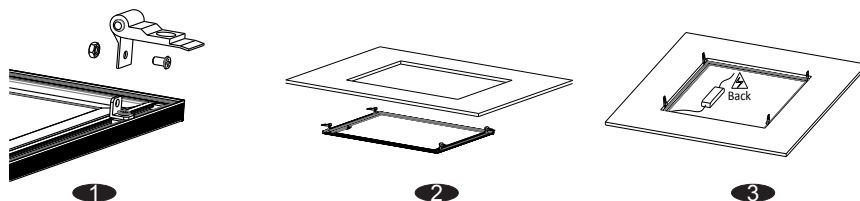
Installation Instructions

▶ Schematic diagram for embedded installation



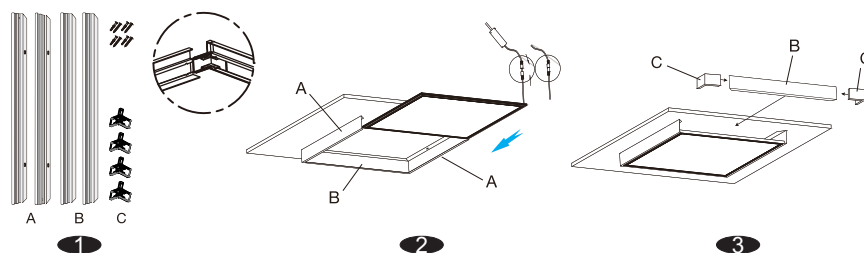
1. Remove the ceiling gypsum board.
2. Connect the power cable.
3. Fix the LED panel into place.

▶ Schematic diagram for clip installation



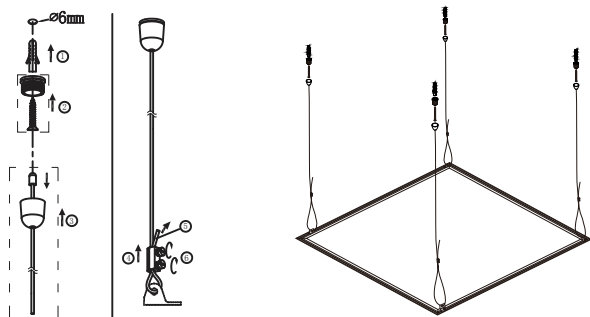
1. Fix 4 spring fasteners by screws to the LED panel.
2. Pull up the spring fasteners in vertical, then snap into the cut hole.
3. Installation complete.

▶ Schematic diagram for ceiling mounting installation



1. Construct the three sides of the frame using the plastic forcer connectors and fix to the roof.
2. Slot the panel light into the structure ensuring it sits snug and secure.
3. Insert the final side of the frame and secure with screws.
4. Installation complete.

▶ Schematic diagram for suspending installation



1. Install the plastic expansion screws and self-tapping screws to the desired surface of the roof.
2. Screw the hanging device with the steel wires on top of the self-tapping screws.
3. Thread the wire through the hooks on the panel light. Adjust the wire to the desired length and lock in with the screw nuts.
4. Check the LED panel light again after installation and connect the AC power.

Installation instructions

1. Turn off the power.
2. Connect the input power lead from the LED driver to a suitable power source and ensure a secure connection.
3. Connect the output DC plug from the Driver to input DC plug connected to the LED panel please ensure the connection is secure.
4. Find a suitable position for the LED driver above the ceiling ensure the driver is not covered by any material replace LED panel in the ceiling.
5. Turn the power back on.
6. This product must be installed by a qualified Electrician.

⚠ Product design and specifications are subject to change, without notice.